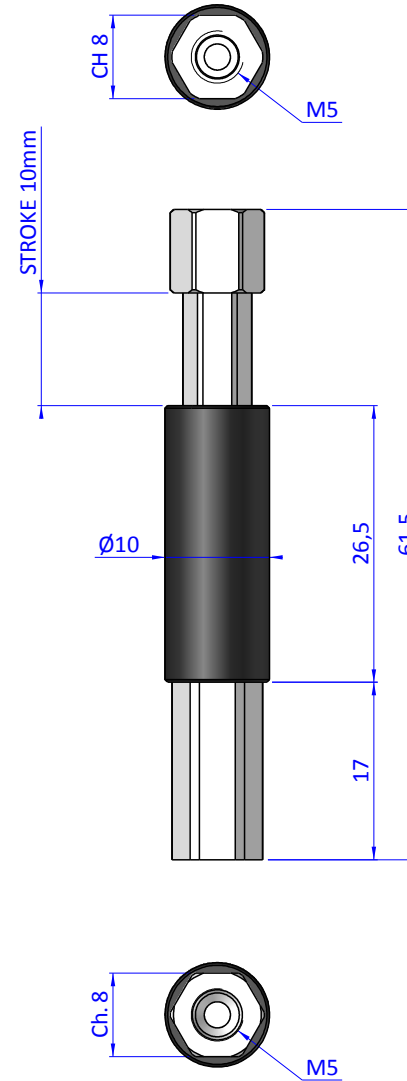
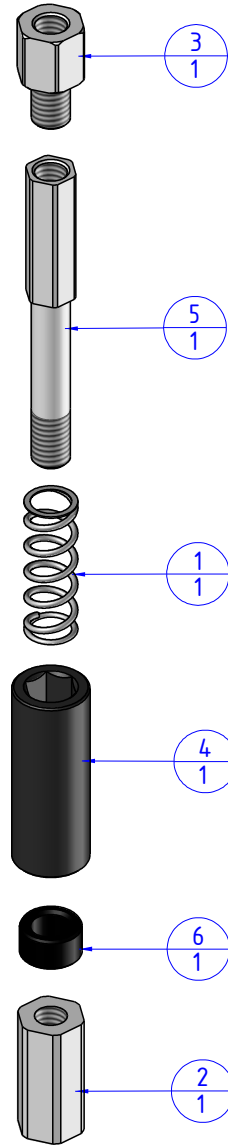



THE PROPERTY OF THE DRAWING IS ESTABLISHED BY LAW. IT IS FORBIDDEN TO PRODUCE OR SHOW IT TO THIRD PARTY, WITHOUT A WRITTEN AGREEMENT.

Item	Name	Q.ty
1	M.5.9X20B	1
2	VSN.10.1	1
3	VSN.10.2	1
4	VSN.1010.2.1	1
5	VSN.1010.4	1
6	VSN.1025.3	1



Format A3

UNI 936-76

 FPS SERVICES AUTOMATION		DESIGNED FROM		REVIEW
		FPS Automation		A
GENERAL TOLERANCE		DATE	WEIGHT	
UNI - ISO 2768		27/05/2019	0,008kg	
CLASSE f		CODE		
		CA.SDN.1010		CA.SDN.1010